

# SIMPLICITY RANGE



[www.citygroup.co.za](http://www.citygroup.co.za)



1

Hospital Beds

4

Multi-Use Beds

6

Examination Beds

7

Accessories

- Overbed Table
- Bedside Table
- Steps
- Drip Stand
- Mattresses & Linen

10

Sanitising Dispensers

11

Furniture Range

12

Additional Products & Services

# SIMPLICITY RANGE

"Simple, robust, affordable solutions."



[www.citygroup.co.za](http://www.citygroup.co.za)

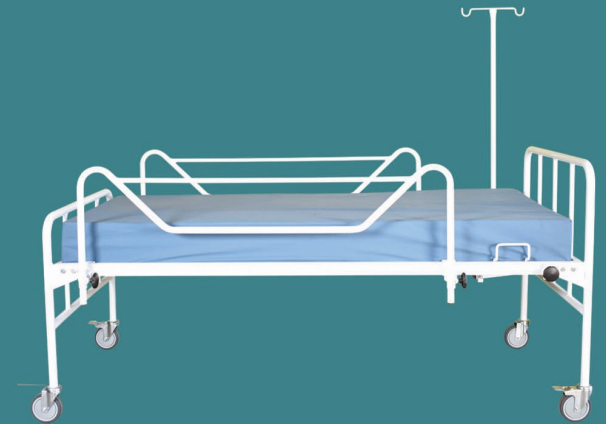
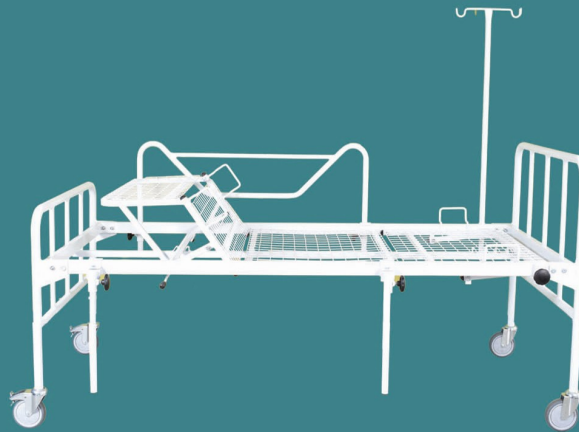
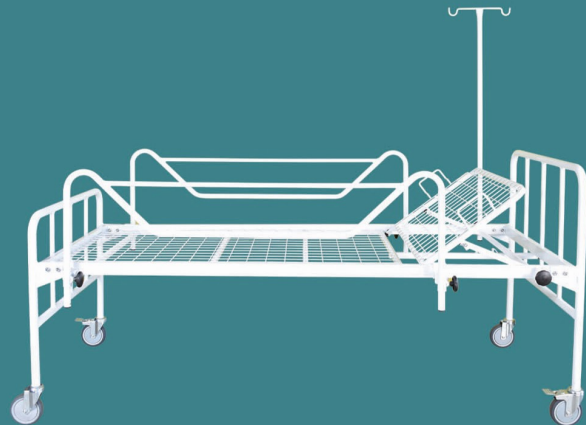
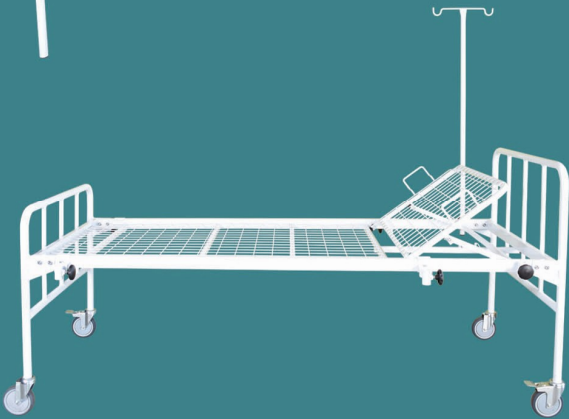
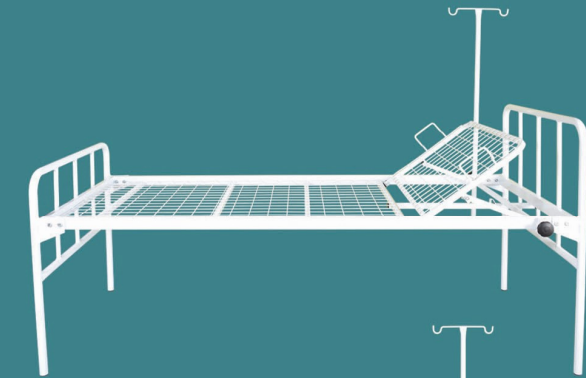
# SIMPLICITY HOSPITAL BEDS

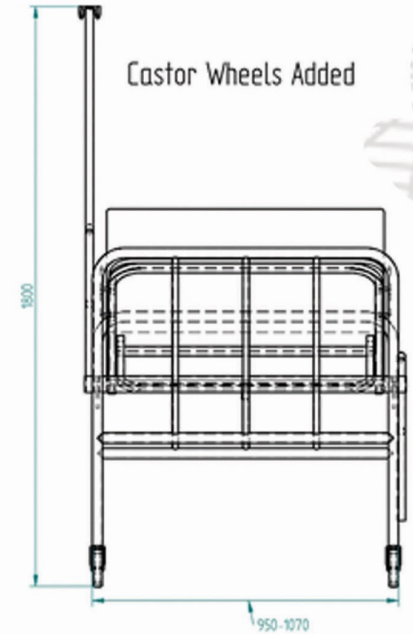
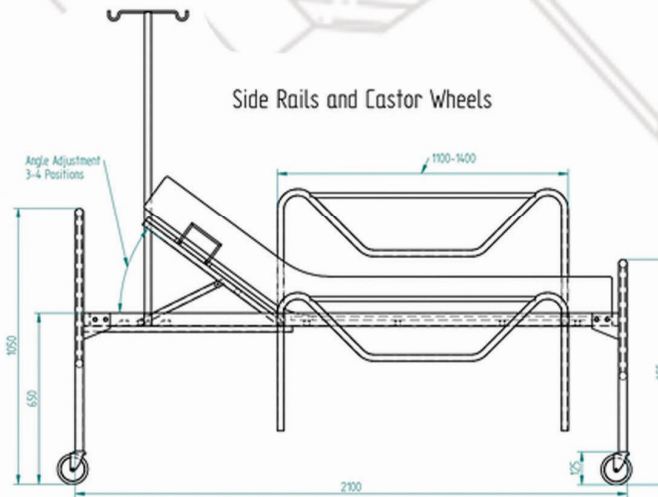
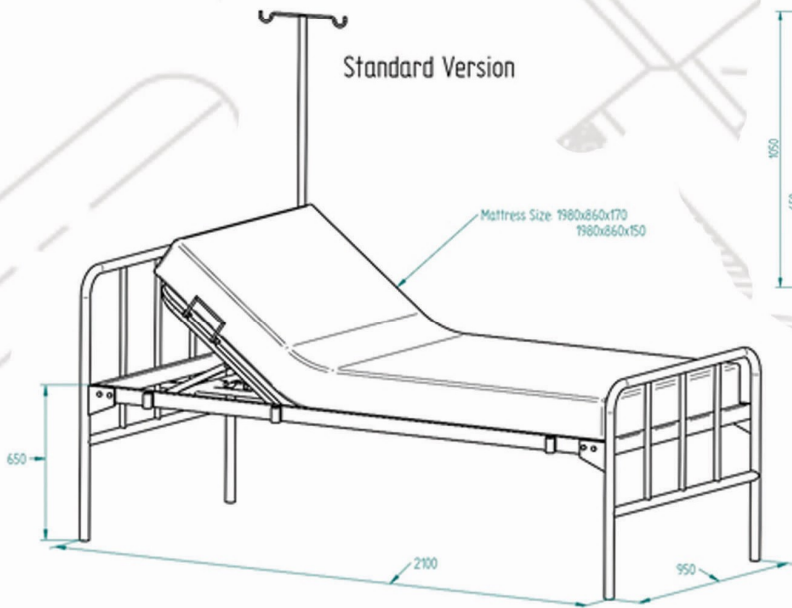
Our simple, modular and cost effective solution

The **SIMPLICITY** Range of hospital beds and accessories forms the basis of our medical and healthcare product offering. Constructed around a versatile frame base, the range offers modular scalability to meet the requirements of any situation.

Exceeding current standards, the product is built strong and tough, offering seamless patient care under the harshest conditions.

- Designed to be a simple, cost effective solution.
- Quick deployment under critical circumstances.
- Extremely durable - made from steel not wood.
- Easy to assemble, clean and maintain.
- Customisable to specific needs or circumstances.
- Flat packed for efficiency and storage
- 100% South African
- Built to SANS521 guidelines





All Measurements are for indicative purposes

**5 YEAR**  
WARRANTY

**Overall Length:** 2100mm

**Width:** 950mm

**Highest Point:** 800mm

**Mattress Support Height:** 450mm

**Ideal Mattress Dimension:** Single bed extra length

**Bed Base:** 50 X 25 X 1.6mm Rectangular Tubing

**Wire Mesh on Bed Base:** 70 X 50 X 4mm

**Cross Brace on Bed Base:** 22 X 22 X 1.2mm Square Tubing

**Bed Legs:** 32 x 2mm Round Tubing Cold Rolled

**Cross Brace on Legs:** 21 X 2mm Round Tubing Cold Rolled

**Up Rights on Legs:** 19 X 1.6mm Round Tubing

**Leg Mounting Plates:** 100 X 100 X 6mm Laser Cut Plate

**Leg Mounting Bolts:** M10 X 50mm Bolt and M10mm nylon lock nut

**Side Rails:** 25 X 1.6mm, 19 x 1.6mm cross bar (option)

**Welding Type:** CO welding

**Powder Coating:** 80 to 100 micron black or white

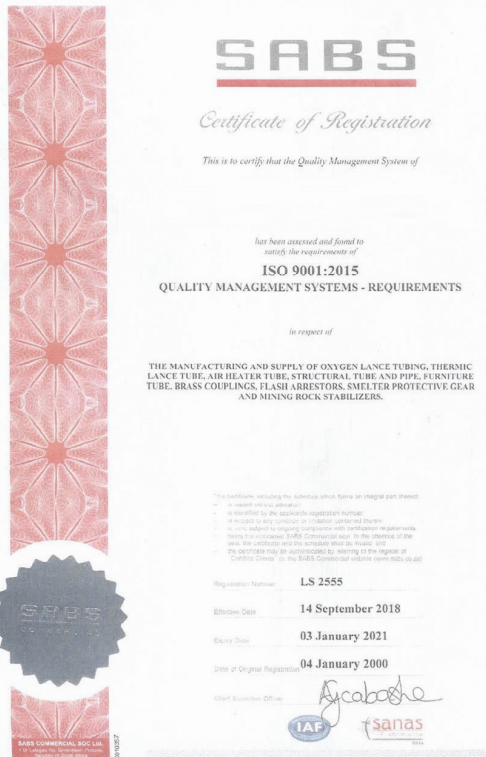
**Tilting Back:** 22 X 1.2mm Square Tubing Cold Rolled (option)

**Warranty on Steel Frame:** 5 years, excludes paint and misuse

# 5 YEAR WARRANTY

## Certification and Warranty

The Simplicity Range of beds is built according to SABS SANS 521:2013 guidelines. SABS/ISO approved suppliers are used thereby ensuring you of high quality products. We are so sure of our quality that we offer a 5 year steelwork warranty on our beds. Our mattress range is ISO tested ensuring you get what you order.



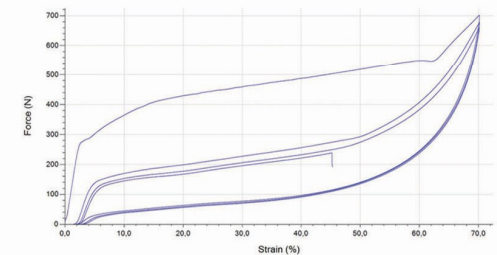
**Testometric**  
materials testing machines

**winTest™**  
Analysis EC

Date Manufactured : 2020/05/19  
Location : Rosslyn  
Foam Type : SFF 23  
Density : 22.0

Machine No. : X350-3003  
Test Name : SF ISO2439/A COMPRESSION  
Test Type : Step Compression  
Test Date : 2020/06/18 9:25 AM  
Preload Speed : 50,000 mm/min  
Preload : 5,000 N  
Width : 400,000 mm  
Breadth : 400,000 mm  
Sample Height : 50,000 mm

Test No	Sample Height (mm)	Force after Stage 4 (N)
1	49,273	191,24



Test 1

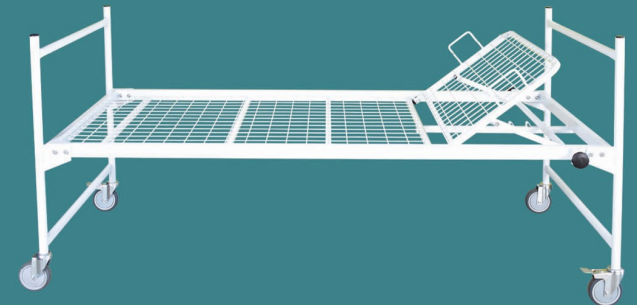
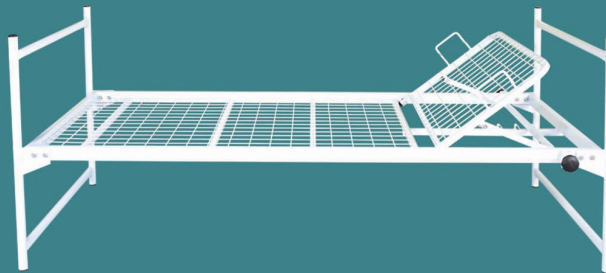
# SIMPLICITY MULTI-PURPOSE BEDS

Our simple, solution for multiple applications

**Development as part of our Simplicity Range, our multi purpose bed can be configured to suite any application.**

**Our refusal to compromise on quality and strenght guarantees the user a decent single extra length suitable for use in any application - from dormitories to hostels, mines to hospitals, and even homes, there isn't an application this bed won't suite.**

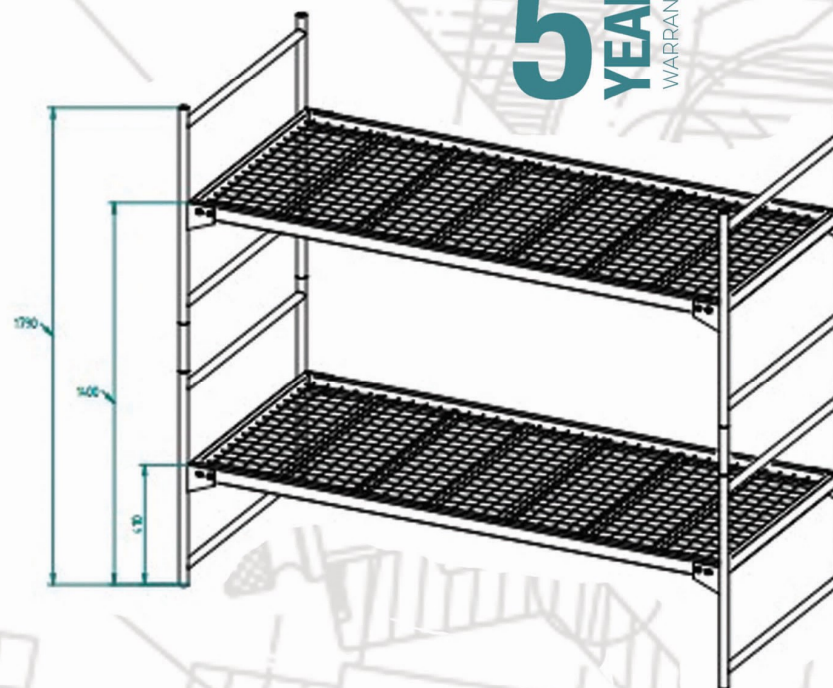
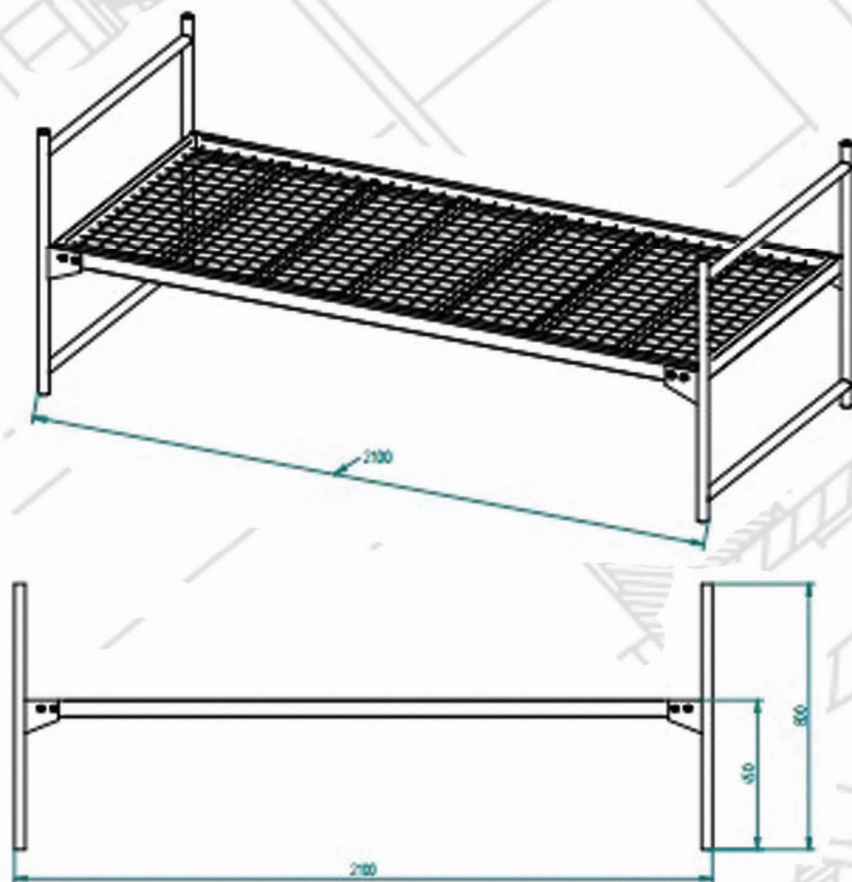
- Designed to be a simple cost effective solution
- Easily convertible into a bunk bed at any stage
- Extremely durable, made from steel not wood
- 5 year warranty
- Simple to assemble – bolts together
- No rickety hinges, super sturdy
- Flat Pack for efficiency and storage
- Extra length, using standard bed linen
- Highly versatile multi use – hostels, dormitories, hospitals
- Fast manufacturing , 100% South African
- Repurpose



Available Colours



**5** YEAR WARRANTY



**Bed Base:** 50 X 25 X 1.6mm Rectangular Tubing Cold Rolled

**Cross Brace on Bed Base:** 22 X 22 X 1.2mm Square Tubing Cold Rolled

**Wire Mesh on Bed Base:** 70 X 50 X 4mm

**Bed Legs:** 32 x 2mm Round Tubing Cold Rolled

**Cross Brace on Legs:** 21 X 2mm Round Tubing Cold Rolled

**Up Rights on Legs:** 19 X 1.6mm Round Tubing

**Leg Mounting Plates:** 100 X 100 X 6mm Laser Cut Plate

**Leg Mounting Bolts:** M10 X 50mm Bolt and M10mm nylon lock nut

**Side Rails:** 25 X 1.6mm, 19 x 1.6mm cross bar (option)

**Welding Type:** CO welding

**Powder Coating:** 80 to 100 micron black or white

**Tilting Back:** 22 X 1.2mm Square Tubing Cold Rolled (option)

**Warranty on Steel Frame:** 5 years, excludes paint and misuse

# SIMPLICITY EXAMINATION BED

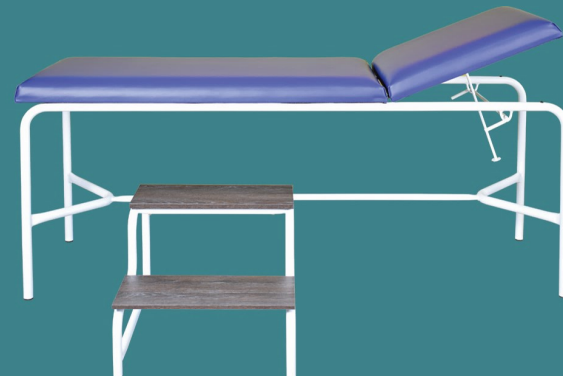
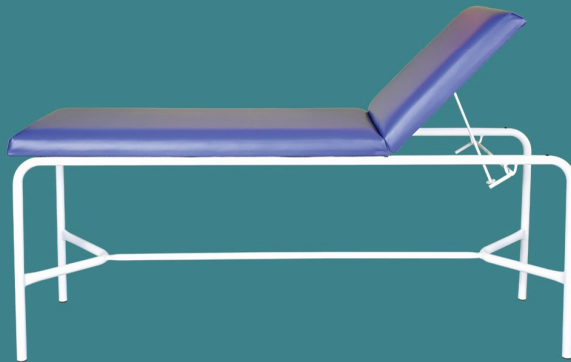
6



A simple design that has stood the test of time. Our simplicity examination bed is built out of 32mm tubing and carries the same 5 year warranty as our hospital bed range. Built with a tilting back that can be position anywhere between 0 and 90 degrees, this examination bed will suite any application.

Available in a message/physio version as well. A wide range of coverings are available.

- Width: 600mm
- Leght: 1850mm
- Height: 780mm
- Adjustable Back - 0 to 90 degree
- Welding Type: CO@ welding
- Powderdercoating: 80 to 100 micron  
(Available - White, Black, Grey)
- Warranty on Frame: 5 years  
Excludes paint and misuse





# SIMPLICITY OVERBED TABLE - CANTILEVERED MANUAL

7



Quality, durability, and strength are keywords associated with our manually adjustable cantilevered overbed table. Key elements such as stability & ease of adjustment have been emphasized in its design.

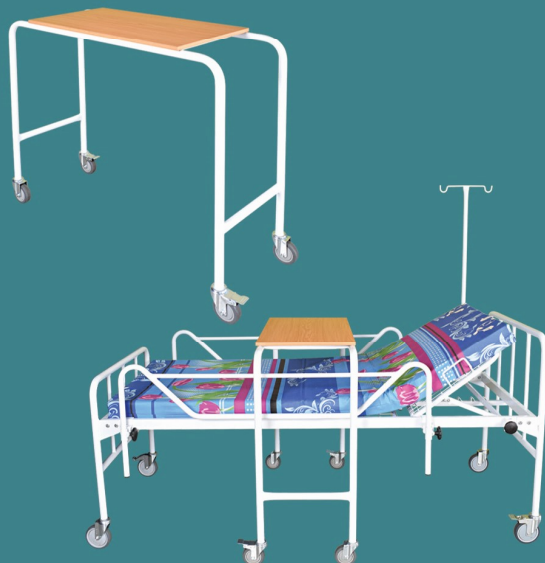
Available with a choice of melamine tops, our local manufacturing factory can produce any quantity in a short period of time.

Depth External:	450mm
Width External:	900mm
Highest Point:	850mm - 1100mm
Frame:	50 x 25 x 2mm Rectangular Tubing
Table Top:	850 x 450mm melamine
Welding Type:	CO2 welding
Powder Coating:	80 to 100 micron black , white or grey
Warranty on steel frame:	5 Year, excludes paint and misuse.
Castor Wheels:	50mm twin plastic, 2 x brackets

## Table Top Finishes



# SIMPLICITY OVERBED TABLE - FIXED HEIGHT



Maintaining the concept of our cost effective, robust Simplicity range, we present our simple overbed table. Available with a choice of melamine top finishes (easily to disinfect) and made out of the same 32mm tubing as our Simplicity Hospital Bed, this fixed height table features 100mm castor wheels, two of which are braked.

Ideal for use in applications from hospitals to care facilities on both rough and smooth surfaces.

Depth External:	450mm
Width External:	1200mm
Highest Point:	1020mm +/- 50mm
Frame:	32 x 2mm Round Tubing cold rolled
Table Top:	850 x 450mm melamine
Welding Type:	CO2 welding
Powder Coating:	80 to 100 micron black or white
Warranty on steel frame:	5 Year, excludes paint and misuse.
Castor Wheels:	100mm 2 braked - all swivel

## Table Top Finishes



# SIMPLICITY BEDSIDE TABLE

8



**We present our simple bed side table. Available with a choice of melamine top or left as a steel finish, the bedside table fits perfectly within our Simplicity Range. Powder coated finish in either white, ivory or hammertone grey available.**

**Available in any size and configuration**

Depth External:	425mm
Width External:	410mm
Height:	710mm (add 16mm for melamine top)
Material:	0.6mm cold rolled steel
Melamine top:	420 x 435 x 16mm
Number of Drawers:	1
Number of Cupboards:	1
Powder Coating:	white, ivory or hammertone grey
Lockable:	optional extra
Castor Wheels:	50mm twin wheel plastic

Handle Options



# SIMPLICITY STEPS - DOUBLE & SINGLE



**Another offering in our simplicity range. Making access easier, we offer two types of steps. A single and double step.**

**Melamine tops are supplied as standard stair treads (range of colours), other types material can be supplied too upon request**

Single  
Width: 500mm  
Height: 220mm

Double  
Width: 500mm  
Step 1 Height: 230mm  
Step 2 Height: 425mm



# SIMPLICITY DRIP STAND

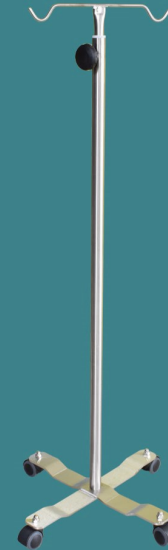
9



**Engineered tough, Our Simple Drip stands are height adjustable, very stable and feature two drip hooks.**

**Available in Mild Steel (type A) or Stainless Steel (type c)**

Height Range: 1300 - 2500 mm  
Castors: 4 x 50mm



# SIMPLICITY MATTRESSES AND LINEN



**To compliment our simplicity range, we offer a wholerange of mattresses. From the simple budget SFF16 version to the waterproof versions, we can supply any mattress at the best prices. Linen is avaiable on request.**



# SIMPLICITY SANITIZING SOLUTIONS

10

A wide range of sanitizing solution to suite all applications. From the simple wall mounted version to the 25 litre floor standing option. In this untested field, quality and durability is what differentiates us from the competition.



## WALL MOUNTED UNIT

**Operated by elbow or hand, this simple sanitiser holder comes complete with a 450ml bottle. Has an adjustable range of 20mm to accommodate different bottles too. Can be used as both a soap or sanitiser dispenser.**

- Affordable
- Supplied with 450ml Bottle
- Easy to Mount
- Adjustable
- Operated by Elbow / Hand



## FLOOR STANDING DISPENSER

**Simply step on the foot peddle to dispense the sanitiser. With an adjustable bottle range from 500ml to 1 Litre, this stand is designed for use in medium volume areas. Quality, durability and practicality was the brief adhered to in its design and manufacture.**

- Made from thick steel
- Powder coated white or black
- Perfect branding opportunity
- Adjustable for various size bottles
- Spring assisted mechanism
- Tread Plate foot trigger
- Can be bolted down



## SIMPLY BIG DISPENSER

**That the name given to our 25 Litre Sanitising Stand. Foot operated, simply step on the foot peddle to dispense - up to 5000 times. No need for bottles with this unit as it contains a durable storage area for a 25 Litre drum of sanitiser. This is lockable too, with a level indicator. Flow can be adjusted simply. Ideal for high traffic areas such as schools, banks, mines and malls. Built to last while offereing multiple branding opportunities.**

- High Volumes
- Low Maintenance
- Great Branding Opportunities



# ADDITIONAL PRODUCTS & SERVICES

11

## Office Furniture

With more than 30 years experience in the office furniture manufacturing industry we are capable of managing any office project, irrespective of scope and size.

## Scholastic Furniture

As an established brand in the scholastic sector, we offer a full range of school furniture, educational accessories, and auditorium seating as specified ranges.

## Carpentry

Our in house carpentry division produces a wide range of standard desks and furniture, customised furniture, fittings and even kitchens/bic's/shopfitting.



## City Group Exports Worldwide



## Bespoke Manufacturing

Manufacturing of our standard ranges is our forte' – now we have the means to manufacture to your specifications, - professionally exceeding expectations whilst maintaining our price competitiveness.

## Architects / Specifiers

We work closely with local designers and project specifiers, offering the innovation that professional access to local manufacturing infrastructure offers.

## Residential & Commercial

Our strong production capacity coupled with an experienced management framework makes us the partner of choice for property developers and estate managers. Our project managers are similarly equipped to manage specific projects.



[citygroup.co.za](http://citygroup.co.za)



Neil Curtis +27 82 336 2484

